

COMBINE HARVESTER

FOR THE WORLD

RUILONG SERIES

000183





RUILONG SERIES HELPS MODERN MECHANICAL AGRICULTURE

A variety of models are selected to make it convenient and comfortable to harvest grain





FMWORLD

ENGINE SYSTEM



RUILONG PLUS AC CABIN YUCHAI ENGINE

The YC4DK series of engines are designed jointly by Yuchai and Ricardo for agricultural equipment. They are small in size, light in weight, highly configured, powerful and cost-effective.

1. Electric control high pressure common rail system, combustion more fully better adapt to various light and heavy working conditions; Injection pressure more stable, quick response, good economy.
2. Enhanced crankshaft High strength body + full flow oil cooler, high heat dissipation efficiency



YC4DK(110HP)

RULONG PLUS CHANG CHAI ENGINE

Main technical features of G series - Multi cylinder diesel engine

1. With longer stroke and greater torque reserve, it is ideal choice for the combine harvester.
2. Optimized combustion system brings strong power and also saves fuel.



4G33(102HP)



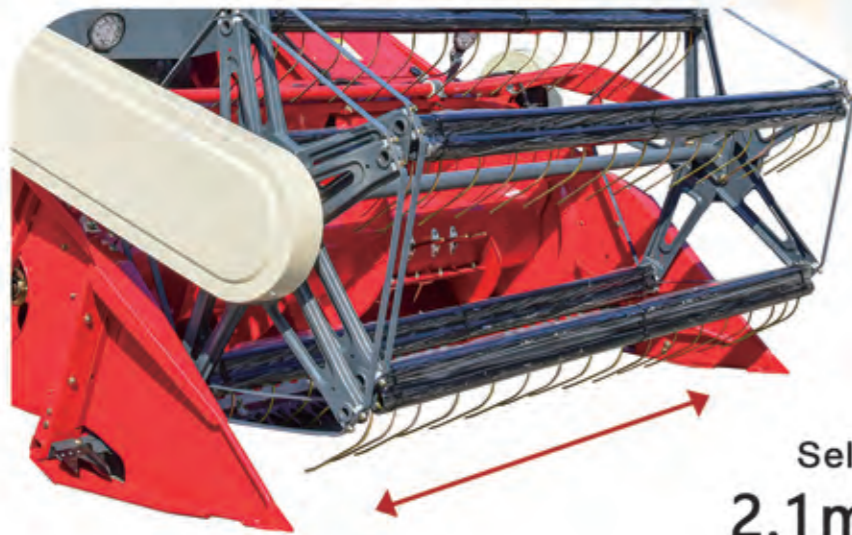
4L88(88hp)

RUILONG CHANGCHAI ENGINE

Main technical features of 4L series - Multi cylinder diesel engine

1. The optimization design makes it cost effective and has the strong power, low emissions and less pollution.
2. The structure design more reasonable and makes small vibration and low noise possible.

HEADER SYSTEM



CUTTING WIDTH
Selection of cutting width
2.1m/ 2.2m/2.36m

New enhanced prevent winding grass divider

Higher strength, more suitable for harvesting 1.2m tall and high-yield crops. The divider is lengthened by 10cm, and the upper Angle is optimized to prevent grass from being sandwiched between the divider and the Reel wheel.

Lengthen and roughen reel spring teeth

When the cutter is 12 cm above the ground, the spring teeth can harvest the fallen crops



Adjustable range and speed of reel wheel

4 kinds of speed adjustable (35, 38, 41, 45) to meet the needs of different crops harvesting.



Feeding smoothly

Shortened conveying housing, feeding inlet adopts floating wheel design, thickening feeding chain, feeding more smoothly, improving conveying passability.

Double cylinder design

1. Double cylinder design matching new damping header, more stable, less vibration.
2. The header cylinder is lengthened, and the lifting range of the header is larger, which improves the ability of harvesting lodging and high-stalk crops.

Multiple use of one machine

With the selection of original rape device, corn device, millet device and soybean device, Ruilong can harvest rice, wheat, rape, corn, millet, soybean, sorghum, buckwheat and other crops in one machine, bringing you higher profits.



soybean



sorghum



millet



corn



rapeseed



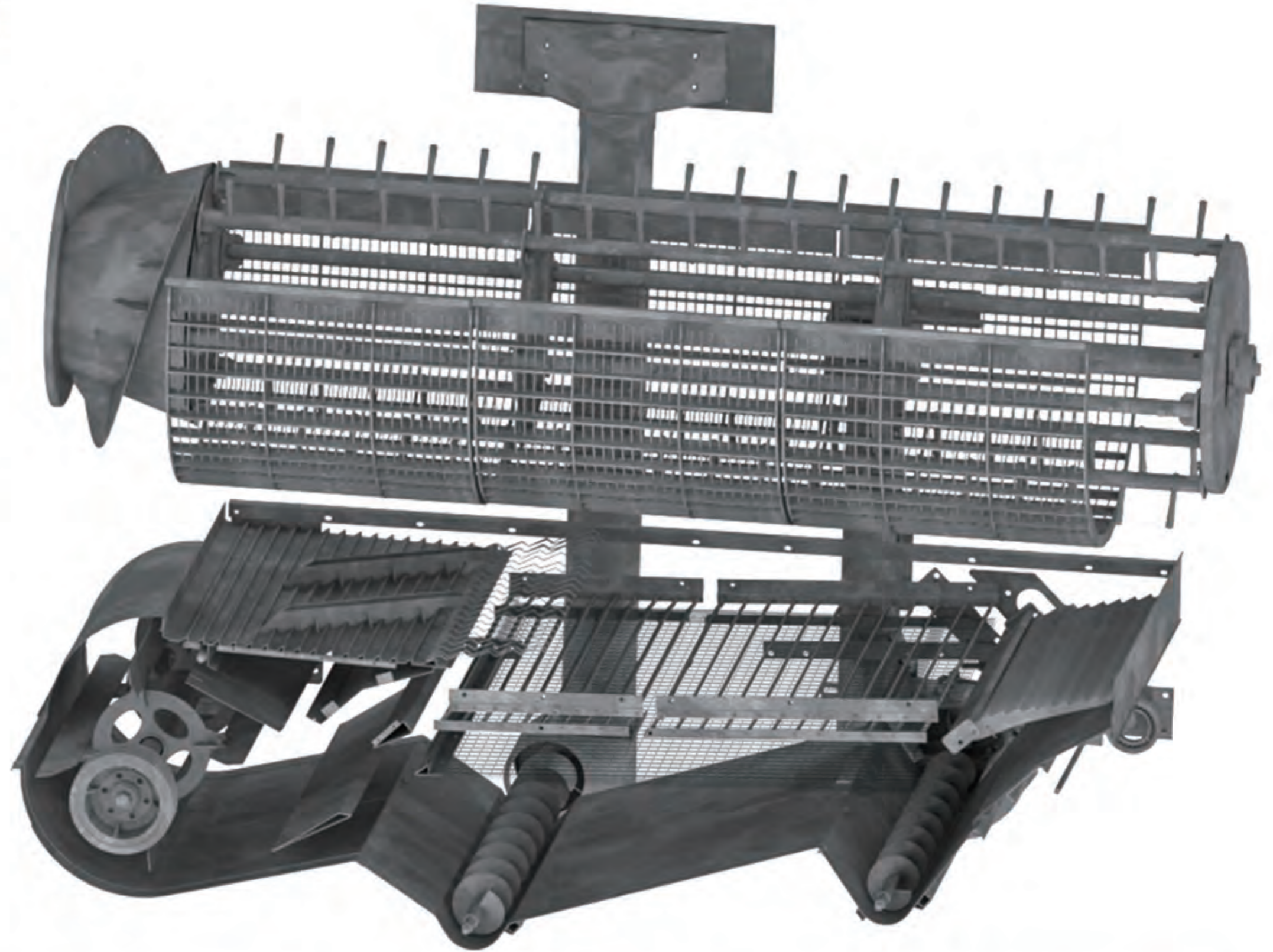
wheat

THRESHING SYSTEM

- ★ Longer threshing time
- ★ Threshing more thoroughly
- ★ Reduce leakage of grain
- ★ High-yield
- ★ Difficult-to-thresh varieties respond well



Φ620mm*2010mm



Back screen surface

Return to the screen surface after lifting the residue and conduct secondary cleaning



Vibrating screen Efficient cleaning

1610mm*840mm

- 1.The cleaning space between threshing roller and concave plate screen is increased by 20%, and the cleaning area of fish scale screen is increased by 10%.
- 2.Double layer extended finger screen design.
- 3.Distribute the grain evenly.



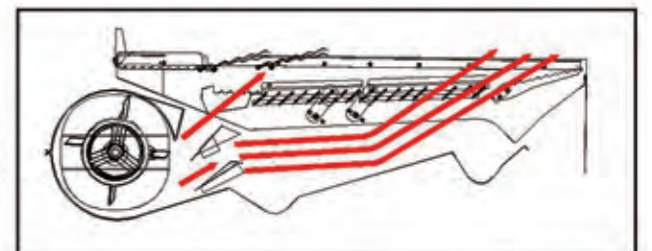
Fish scale screen Angle three adjustable, segmented design, the front and back of the Angle can be adjusted separately



Thickened shell of stripper to prolong service time



Fan diameter (400mm) air duct optimization, stronger cleaning capacity and cleaner cleaning;
The fan air volume and wind direction can be adjusted to achieve high-efficiency cleaning of multiple crops and grain storage.



GRAIN UNLOADING SYSTEM



Grain Tank Capacity Selection

Ruilong plus sack type (2 collections) : 460L

Ruilong plus sack type (3 collections) : 810L

Ruilong : 1400L

Ruilong Plus: 1800L

Ruilong Plus (AC cabin): 1970L

Sack Type unloading System



2 Collections

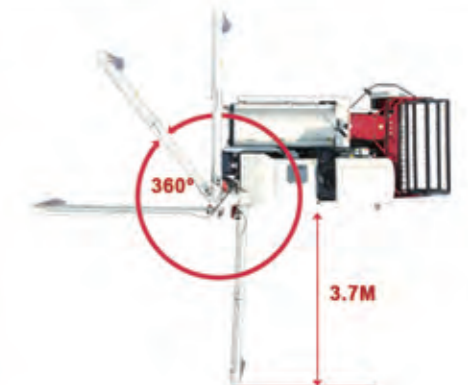


3 Collections

The whole machine is designed with light weight, and it can harvest continuously with the help of manpower while loading and unloading grain



360 unloading auger



CHASSIS SYSTEM

Patented "riding" chassis gear train



- 1.Imported combined oil seal, maintenance free design, good sealing performance.
- 2.Fan impeller structure, automatic sludge discharge and drainage.
- 3.High clearance floating wheel makes getting on and off the train and climbing over the ridge more stable.
- 4.The chassis gear train and guide rail are widened and thickened to improve the bearing capacity and reduce the loss of track.
- 5.The optimized design of track grounding angle makes it more adaptable and trafficable to rotten fields.
- 6.The center of gravity distribution of the lengthened track is more reasonable, and the driving operation is smooth.
- 7.The track gauge is widened to 1.25m, with better stability.

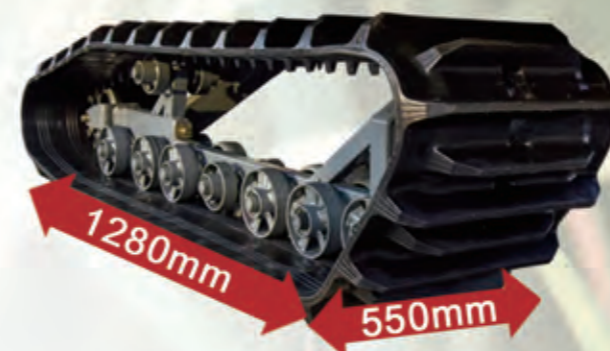
More stable center of gravity and convenient maintenance



RUILONG

The minimum ground clearance of chassis is increased to 45cm,
The maximum ground clearance is increased to 65cm,
The ground clearance of gearbox bottom is increased to 32cm.

Width	length
500mm	1550mm



RUILONG PLUS

The minimum ground clearance of the chassis is increased to 50cm,
The maximum ground clearance is increased to 72cm,
The ground clearance of the bottom of the gearbox is increased to 36cm.

Width	length
550mm	1280mm

Rotten fields have stronger Trafficability



THE SUNSHADE AND CAB

Wide vision to ensure safe operation

Comfortable space makes people feel comfortable



Simple operation handle



Fan cools down and removes dust improve comfort



The instrument panel is concise and clear, showing the machine condition



AIR CONDITIONER

The cab is equipped with high-power air conditioner, which can work comfortably in hot summer.



Integrated display of the reversing image and the data of the whole machine working condition, keep abreast of the machine running status]

All operating handles and switches are arranged on the left and right sides; electronic throttle; Electronically controlled reel lift, the right main operating handle integrates button, simple and convenient operation.



FUSELAGE DIMENSIONS AND PARAMETERS

RUILONG PLUS



RUILONG PLUS (AC Cabin)



Product		Ruilong	Ruilong Plus	Ruilong Plus (Sack Type)		Ruilong Plus (AC Cabin)
Model		4LZ-4.0E	4LZ-6.0P			
Dimension	Length (mm)	4920	5390	5390		5420
	Width (mm)	2890	2620	2620		2620
	Height (mm)	2700	3030	3030		3030
Weight (kg)		3500	3700	3280	3300	3800
Power System	Engine Model	Changchai 4L88	Changchai 4G33TC			Yuchai YC4DK
	Model		Inine, Water-cooling, Four-stroke, Direct Injection			
	Displacement (L)	2.83	3.26			3.62
	Power (hp)	88	102			110
	RPM		2600			
	Fuel Tank Capacity (L)	200	160	160	200	160
Chassis System	Rubber Track Model	500*90*51	550*90*56			
	Track center Distance	1150	1280			
	Grounding Dimension (mm)	1550*500	1800*550			
	Ground Pressure (kpa)	22.7	18.8	16.3	16	19.3
	Chassis Height (cm)	65	72	72	72	72
Walking System	Variable speed method		HST (45CC) + ZKB85 GEAR BOX			
	Travel Speed		2.6m/s			
	Harvesting Speed		1.9m/s			
	Lodging Speed		1.4m/s			
Header System	Cutting Width(m)	2.1	2.2	2.2	2.2	2.36
	Cutting height range	-5~110	-5~117			
	Shifting method of Reel wheel		Adjust belt disc diameter			
Threshing System	Threshing method		纵轴流			
	Threshing Cylinder		φ620*2010			
	Speed of threshing Cylinder		710r/min			
	Separating Type		Vibrating Sieves + Centrifugal Fan			
	Sieve box (mm)		1610*840			
Unloading System	Grain Tank (m³)	1.4	1.8	0.46	0.81	1.97
	Unloading Grain Method	360°+3.7m Auto Grain unloading		2 Collection	3 Collection	360°+3.7m Auto Grain unloading